

AT10 shown in standard backbox



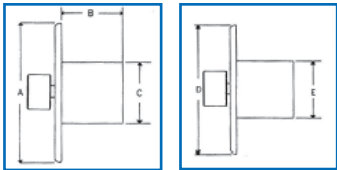
AT10/35/100 Series E408100



AT10D (decora)



RM Series



AT, E408 series
Side View Top View

DIMENSIONAL SPECIFICATIONS PLATE MOUNTED ATTENUATORS					
MODEL	A	B	C	D	E
AT10	4 1/2"	2 1/8"	2 3/4"	2 3/4"	1 3/4"
AT10-PA	4 1/2"	2 1/8"	2 3/4"	2 3/4"	1 3/4"
AT35	4 1/2"	2 1/8"	2 3/4"	2 3/4"	1 3/4"
AT35-PA	4 1/2"	2 1/8"	2 3/4"	2 3/4"	1 3/4"
AT100	4 1/2"	2 1/2"	2 3/4"	2 3/4"	1 3/4"
AT100-PA	4 1/2"	2 1/2"	2 3/4"	2 3/4"	1 3/4"
E408-100	4 1/2"	2 5/8"	2 1/16"	2 3/4"	2 5/16"

INDUSTRY STANDARD AUTO TRANSFORMER

AT Series. UL listed high-quality auto transformer series provides the advantages of excellent frequency response, low insertion loss and reliable performance for volume control application in 25 and 70.7V systems. Attenuation is accomplished in ten steps plus positive off position. (No stop between maximum and off position to prevent switch damage). Contacts are silver plated for noise-free operation. Includes stainless steel plate, stamped and filled dial scale with skirted black knob.

MODEL	POWER RATING (Watts)	ATTENUATION PER STEP	TOTAL ATTENUATION	INSERTION LOSS	PLATE SIZE	PLATE TYPE	PLATE COLOR
★ AT10(-PA)	10	3dB	27dB	.4dB	1 gang	Stainless	NA
★ AT35(-PA)	35	3dB	27dB	.4dB	1 gang	Stainless	NA
★ AT100(-PA)	100	3dB	27dB	.4dB	1 gang	Stainless	NA

AT Decora Series. Include White and Ivory Decora Style plastic plates, with matching skirted knobs.

MODEL	POWER RATING (Watts)	ATTENUATION PER STEP	TOTAL ATTENUATION	INSERTION LOSS	PLATE SIZE	PLATE TYPE	PLATE COLOR
★ AT10D	10	3dB	33dB	.4dB	1 gang	Plastic Decora	White/Ivory
★ AT35D	35	3dB	27dB	.6dB	1 gang	Plastic Decora	White/Ivory
★ AT100D	100	3dB	27dB	.6dB	1 gang	Plastic Decora	White/Ivory

AUTO TRANSFORMER WITH PRECISION LEVEL CONTROL

E408-100. Specially designed for attenuation in masking and sound reinforcement systems where fine tuning of level control is required. Employs a ten-position, non-shorting rotary switch without stop. Attenuation rate is 1.5dB per step. (All other specifications are the same as the AT Series including the UL listing).

MODEL	POWER RATING (Watts)	ATTENUATION PER STEP	TOTAL ATTENUATION	INSERTION LOSS	PLATE SIZE	PLATE TYPE	PLATE COLOR
★ E408-100	100	1.5dB	15dB	.6dB	1 gang	Stainless	NA

PRIORITY PAGING OPTION

PA Series. Priority paging feature bypasses the effect of the attenuator to provide program level selection of individual emergency and paging signals at the amplifier. Option is available on all AT Series attenuators. The SPDT relay is operated with 24VDC at 10mA. Includes protective relay cover to ensure lasting trouble-free performance. (All other specifications except for dimensions are the same as AT Models.)

RACK MOUNT OPTION

RM Series. For attenuation convenience of rack-mounted equipment in cabinets and consoles, the AT and E408 Series attenuators are available without mounting plate for rack panel installation. Attractive matte black polycarbonate dial scale overlay with adhesive backing replaces the mounting plate. Includes skirted black knob. Overlay size is 2" sq. (51mm). (To order, simply add RM after the selected attenuator model number. Example: AT10-RM or AT10-PARM.) (Dial scale overlays to retrofit existing installations are available, see hardware section Model HX23.) For easy rack mounting of RM series attenuators, see model AT PLATE, catalog Section 5.

★ LISTED UL 813 & UL 2043 Listed.



WHISPERTOUCH® IMPEDANCE-MATCHING VOLUME CONTROLS

Devices provide clear, distortion-free music reproduction when one or multiple loudspeaker pairs are powered by a single amplifier. Additionally, 8 Ohm models provide load protection. Attenuation is accomplished in ten steps.

Original. These innovative volume controls feature impedance-matching to protect the amplifier and balance the audio signal, fine-tune level control to adjust low listening levels to the perfect setting, and an easy-grip low-profile knob. The knob features smooth detents and make-before-break contacts for smooth transition when changing volume settings. It measures 1/8" dia. x 3/8" projection. Series is offered in 8 Ohm, 70V stereo and 70V mono versions to satisfy any volume control requirement. All models have a frequency response of 20Hz - 20kHz (-3dB, +0). Models with 8 Ohm impedance measure up to 2 3/4" deep for mounting into a 20 cu. in. or backless E.O. box. Recommended models include Carlon Model B120A. Models for 70V use are 2 1/2" deep for mounting into an 18 or 20 cu. in. backbox. Units accept 14 to 20-gauge wire for termination and are offered in Decora-styling or with standard plate. DWT-8 available in white or ivory. SWT-8 available only in ivory.

Switched. These include all the features of Original WhisperTouch® plus an on/off switch and status indicator light. The "smart" relay switch automatically puts speakers into "stand-by" mode making them available rather than indiscriminately active when the audio system is powered on. Audio is accessed by simply touching the switch. The small yet helpful status indicator light provides quick visual assessment of the audio system availability. Switched and Summing/Switched models require a 12VDC power supply (order separately).

Summing. Offered in Original and Switched versions, Summing models combine left and right stereo signals to supply a single speaker with full-fidelity music reproduction in small or secondary listening areas. Switched and Summing/Switched models require a 12VDC power supply (order separately).
Plate not included except for DWT-8, SWT-8.

ORIGINAL							
MODEL SERIES*	IMPEDANCE	VOLTAGE	POWER RATING	PLATE STYLE**	TYPE	REQUIRES	STEPS
DWT-8	8Ω	—	50W	Decora	Stereo	20 cu. in. E.O. Box	22.5dB Total
SWT-8	8Ω	—	50W	Standard****	Stereo		
SWITCHED							
DWS-8	8Ω	—	50W	Decora	Stereo, Switched	20 cu. in. E.O. Box & power supply	22.5dB Total
SWS-8	8Ω	—	50W	Standard	Stereo, Switched		
* DWS-15	—	70.7V	15W	Decora	Stereo, Switched	18 cu.in. E.O. Box & power supply	
* DWSM-15	—	70.7V	15W	Decora	Mono, Switched		
* SWS-15	—	70.7V	15W	Standard	Stereo, Switched		
* SWSM-15	—	70.7V	15W	Standard	Mono, Switched		
SUMMING							
DSUM-8	8Ω	—	25W	Decora	L/R Summing	20 cu. in. E.O. Box	22.5dB Total
SSUM-8	8Ω	—	25W	Standard	L/R Summing		
SUMMING/SWITCHED							
DSUMS-8	8Ω	—	25W	Decora	L/R Summing Switched	20 cu. in. E.O. Box & power supply	22.5dB Total
SSUMS-8	8Ω	—	25W	Standard	L/R Summing Switched		

*-Other decora-style devices require a cover plate. Order separately.

* Suffix model with color: ivory (-I), white (-W). ** Decora-style plate measures 1 3/4" W x 2 3/4" H and requires a cover plate (order separately).

Standard single-gang plate measures 2 1/4" W x 4 1/2" H. ***Order 12 VDC Model PS12-10 or PS-M12 separately (see below).

****Available in ivory only

POWER SUPPLIES FOR SWITCHED WHISPERTOUCH

PS-M12. Unit is a compact UL-listed 12VDC, 300mA power supply with a 6-foot cord. The required input voltage is 120V. Supply includes a 1/8" mini-plug for direct connection to the M-1CB4A connector block (powers up to four F-1 flashers) or for use with up to three Switched WhisperTouch volume controls.

MODEL	POWERS UP TO	INPUT	OUTPUT (Nom.)	Weight
PS-M12	3 Switched WhisperTouch	120VAC	12VDC @ 300mA	.50 lbs (.2kg)



DWT/DSUM Series
(Shown with cover plate)



SWT/SSUM Series



DWS/DWSM/DSUMS Series
(Shown with cover plate)



SWS/SSUMS Series



PS-M12

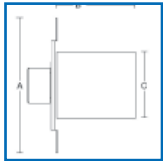
FOUR



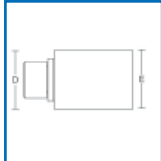
Industry Standard Commercial Attenuators



DAT8ST
DAT35ST70



DAT Series
Side View



DAT Series
Top View

DAT Series. Atlas Sound offers traditional autoformer controls to provide excellent stereo performance and maximum speaker-handling capability. Models include positive off and full-power pass through at the maximum setting. Contacts are make-before-break for smooth transition. Models with 8 Ohm impedance are suitable for residential stereo and voice-coil circuit application. Models for 25 or 70.7 Volt use provide level control in distributed constant-voltage systems. Single-gang models mount standard E.O. boxes 2½" deep. Includes white and ivory knobs, inserts and trim plates.

- Choose DAT8ST to control speaker volume when impedance matching is not necessary such as single-pair installations or when multi-channel amplifiers are used for individual zones.
- Combine DAT8ST with a separate impedance-matching switching device (AST Series) to design a system with multiple loudspeaker pairs.

MODEL SERIES*	POWER RATING	SYSTEM		ATTENUATION		INSERTION LOSS	PLATE SIZE
		IMPED.	VOLTAGE	PER STEP	TOTAL		
DAT8ST	50W RMS/Ch.	8Ω	—	3dB**	30dB	.5dB	1 gang
DAT35ST70	35W RMS/Ch.	—	25 or 70.7V	3dB***	27dB	.5dB	1 gang

*Suffix model with color: ivory (-I) or white (-W). ** Models have two steps of 6dB before off. Note: Attenuation curve is steeper for a 25V line. ***Models have one step of 6dB before off.

DIMENSIONAL SPECIFICATIONS-PLATE MOUNTED ATTENUATORS					
MODEL	A	B	C	D	E
DAT8ST	4¼"	2½"	2⅝"	1⅞"	1⅝"
DAT35ST70	4¼"	2½"	2⅝"	1⅞"	1⅝"

* Exposed plate height is 2½"

Decora® is a Registered Trademark of Leviton Corporation.



Atlas Sound Speaker Switching Systems



ASL-6A
(Shown with rack brackets)



AST-6

IMPEDANCE-MATCHING SPEAKER SELECTORS

ASL-6A. Impedance-matching loudspeaker switching system provides control of up to six loudspeaker pairs positioned in multiple room applications. All volume controls for each loudspeaker pair are located on the front panel for easy access. Attenuation is accomplished in 10 steps. Units accommodate any combination of 8 and/or 16 Ohm loudspeakers. Choose ASL-6A to control speakers in retrofit or pre-wire installations where speaker wiring goes directly to the main equipment cabinet; not to individual volume controls. ASL model offers individual speaker volume controls with individual A/B source selection and separate on/off controls for each loudspeaker pair. Unit features a mar-resistant black finish. Dimensions are 17" W x 1⅞" H x 5⅞" D and can be shelf or 19" rack-mounted (brackets included). Wire capacity is 14-24 gauge. Not for use with 70V systems.

AST-6. Impedance-matching loudspeaker switching system provides control of up to six loudspeaker pairs positioned in multiple room applications. Controls for each loudspeaker pair are located on the front panel for easy access. Unit accommodates any combination of 8 and/or 16 Ohm loudspeakers. Use AST Series to offer additional functionality to systems using traditional (non-WhisperTouch) volume controls such as the DAT8ST. AST devices include separate on/off controls for each loudspeaker pair and one A-B source selector switch for overall system control. Units feature a mar-resistant black finish. Dimensions are 17" W x 1⅞" H x 5⅞" D and can be shelf or 19" rack-mounted (brackets included). Wire capacity is 14-24 gauge. **Not for use with 70V systems.**

MODEL	SPEAKER CAPACITY	SPEAKER SELECTOR	VOLUME CONTROLS	A/B SOURCE CAPACITY	POWER HANDLING RMS/AUDIO*	WEIGHT LBS.
ASL-6A	6 Pair	6 on/off	6	6 Individual	70/210 Watts	10.5 lbs. (4.8kg)
AST-6	6 Pair	6 on/off	—	1 System	40/120 Watts	6.5 lbs. (2.9kg)

* Per channel, 8 Ohm load, single room (measured @ 50 Hz continuous)

STAINLESS STEEL WALL PLATES WITH INDUSTRY STANDARD CONNECTORS

Professional appearance with easy and cost-efficient installation is achieved by using Atlas Sound wall plates. Models include mounting holes on standard box mount center [3⁷/₃₂" (83mm)] and plate mounting hardware.

SG-XLR-F1 Single Gang Stainless Steel Plate with (1) Female 3 pin XLR

SG-XLR-F2 Single Gang Stainless Steel Plate with (2) Female 3 pin XLR

SG-XLR-M1 Single Gang Stainless Steel Plate with (1) Male 3 pin XLR

SG-XLR-M2 Single Gang Stainless Steel Plate with (2) Male 3 pin XLR

SG-NL4MP-1 Single Gang Stainless Steel Plate with (1) NL4MP 4 pole connector

SG-NL4MP-2 Single Gang Stainless Steel Plate with (2) NL4MP 4 pole connector

SG-QTRSL-F1 Single Gang Stainless Steel Plate with (1) Female Locking TRS connector

SG-QTRSL-F2 Single Gang Stainless Steel Plate with (2) Female Locking TRS connector

SGWP-38GH Single Gang Stainless Steel Plate ³/₈" Hole & Grommet

* INDUSTRY STANDARD MIC JACK CONNECTOR MODELS

FOUR

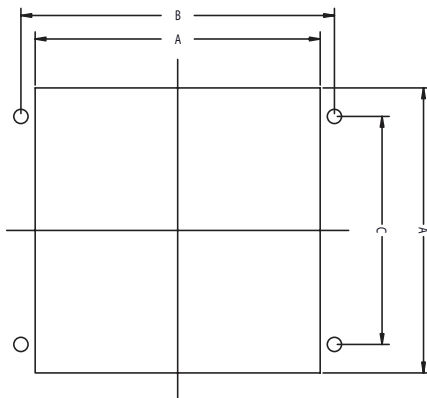
Microphone Floor Boxes

RECEPTACLES WITH & WITHOUT CONNECTORS INSTALLED

MRB Series. Convenient receptacle floor box with easy-open lid requires no tools to access connectors. Lid is mounted on a pin hinge that lifts easily and swings to the side for access and then falls into a closed position when not in use. Four level legs are provided on a 4" octagon box. Models are offered with choice of mounting plate, punched to accept a variety of connector styles, and are available with listed selection of factory-installed connectors. Lid and trim cover are cast commercial red brass with a brushed finish. Optional matching carpet ring provides attractive finished appearance.

MODEL	MOUNTS CONNECTOR	MODEL	INCLUDES CONNECTOR
MRB-1	Switch C3M, C3F, C4M, C4F	MRB-1-13	C3F Type
MRB-PL	Blank receptacle plate		
MRB-TR	Optional carpet trim ring for all models		

FB4XLRF. Atlas Sound FB4XLRF floor box assembly provides a simple solution for recessed mic inputs. The unit is designed for easy installation into wood stages and platforms. (4) Female XLR connectors are recessed and slant loaded into the enclosure. A hinged steel cover plate provides protection for cable connectors. Connectors are standard "D sub" type and may be easily removed to allow substitution of other "D sub" devices. Not designed for use in concrete pour applications!



FB4XLRF cut out and over all dimensions.

CUT OUT L/W (A)	MOUNTING HOLE HORZ (B)	MOUNTING HOLE VERT (C)
5" (127mm)	5 ¹ / ₂ " (140mm)	4" (102mm)



MRB Series



FB4XLRF



HX41/42



HXL Series



HX11-P



HX12-R



HX21-B



HX23



HX24-1



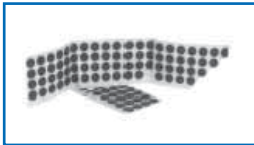
HX25-2



HX26-2



HX31-345



HX76

HARDWARE ACCESSORIES

MODEL	DESCRIPTION
HXL-3-13	Wall/Panel Receptacle, Female 3 Conductor; C3F or Equal
HXL-3-13N	Wall/Panel Receptacle, Female 3 Conductor; Locknut Mounting; B3F or Equal
HXL-3-11	Cable connector, Female 3 Conductor; A3F or Equal
HXL-3-12	Cable connector, Female 3 Conductor; A3M or Equal
HX11-P	SPDT Momentary Push Button Switch, 1/4 Amp Contacts, Black Button, Hardware
HX12-R	2 Pole, 6 Position Rotary Switch Continuous Rotation; 60° Indexing; 3/8" Bushing Length; 3/8" Shaft Length, Includes Hardware
HX21-B	Skittered Knob; Black; 1/4" Diameter Fits 1/4 Shaft; One Set Screw
HX22-W	Skittered Knob; White; 1/4" Diameter Fits 1/4 Shaft; One Set Screw
HX23	2" x 2" Poly carbonate Dial Scale. 3/8" Center Hole. Black Finish
HX24-1	Single Gang S/S Plate; Dial Scale Stamped and Paint Filled 3/5" Center Mount Hole, Mounts to Standard E.O. Box; With Hardware
HX25-2	Double Gang S/S Plate; Dial Scale Stamped and Paint Filled 3/5" Center Mount Hole, Mounts to Standard E.O. Box; With Hardware
HX26-2	Double Gang S/S Plate with Dial Scale for Attenuator and 6 Position Rotary Switch
HX31-345	3" Speaker with 45 Ohm Voice Coil. Magnet Weight 1.47 oz.
HX41-50	50 Ohm Wirewound Potentiometer, 3 Watt. Continuous Rotation. 3/8" Bushing Length; 3/8" Long Flatted Shaft. Includes Mounting Hardware
HX76	Felt Tabs (100 pieces)

AT Plate-052. The new Atlas Sound AT Plate is perfect for rack mount applications where attenuators are required. The Atlas Sound AT Plate, a 2RU H #14 gauge plate pre-punched to accommodate up to (6) Atlas Sound rack mount attenuators. Attractive black filler plugs are provided for applications where the AT Plate will not be fully "loaded". The plate is finished in flat black epoxy to better blend in with other rack mount equipment.

Three new Atlas Sound -RM Attenuators shown mounted on the new Atlas Sound AT Plate





MICRO INFRARED REPEATERS & FLASHERS

M-1A Series. Atlas Sound IR repeaters allow the operation of virtually any IR-controlled A/V component from multiple room locations. The M-1A Series repeater will receive the IR signal and rebroadcast it to the small F-1 flasher LED positioned on the front of each A/V component. The F-1 forwards the signal to the source component's IR receiver.

These micro repeaters feature an attractive, flush, white lens that blends with any white surface. Their high sensitivity enables use within a 40 foot range with fast reaction time and minimal interference. Repeaters are available installed on a white decorator-style subplate (cover plate not included) or separately for flush-mounting in a ceiling, wall, cabinet or speaker grille.

F-1 Series. Small F-1 flasher LEDs are shipped with an adhesive backing and 1/8" phone plugs for connection to all IR-controlled A/V components. Up to six flasher units may be connected to a single M-1A repeater using two M-1CB4B connector blocks or any standard adapter (by others). (Note: some high-end A/V components are equipped to accept hard-wired IR signals. In this case, F-1 flashers would not be necessary.)

MODEL	DESCRIPTION	CURRENT DRAW	STYLE	COLOR
M-1A	IR Repeater	12mA	Flush Mount	White Lens
M-1AJW	IR Repeater	12mA	Wall Mount, Supplied on Decorator Subplate*	White Lens, White Subplate
F-1	Flasher	.05mA	Surface Mount	Black Lens, Black Cord

* Order Sound decorator-style cover plate separately.
** Order Model M-1A separately.

STAND-ALONE IR REPEATER SYSTEM

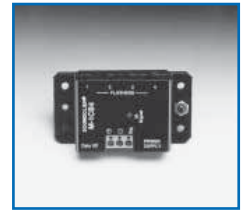
M-1CB4B. For installation flexibility, the M-1CB4B amplified connector block is offered as a plug-in interface device that provides connections for an M-1A Series repeater, four F-1 flashers, and power supply Model PS-M12. This configuration allows IR operation of up to four A/V components from up to four room locations. The M-1CB4B offers 1/8" mini jacks for power supply Model PS-M12 and up to four F-1 flashers; it also provides terminals for wiring up to four M-1A repeaters (rooms) in parallel fashion and a data jack for connecting a mini-pin IR source or another M-1CB4B. The unit's amplified circuit design supplies clear, strong IR data to source components.

This stand-alone IR repeater system requires: one M-1A repeater in each remote room location, one M-1CB4B for every four A/V components, a PS-M12 power supply, and one F-1 flasher for each A/V component. For installations which require control of more than four components or transmission from more than four rooms, multiple M-1CB4B blocks may be used. (Note: each M-1A repeater can control a maximum of six F-1 flashers.)

PS-M12. Unit is a compact UL-listed 12VDC, 200mA power supply with a 6-foot cord. The required input voltage is 120V. Supply includes a 1/8" mini-plug for direct connection to the M-1CB4B connector block (powers up to four F-1 flashers) or for use with up to three switched WhisperTouch® volume controls.



F-1 M-1AJW* M-1A
*(Shown with cover plate, Sold separately.)



M-1CB4B



PS-M12

FOUR



Multiple Repeater / Emitter System
block for the M-1 Infrared Repeater System. It allows connection of multiple repeaters to 4 emitters (flashers) with no loss in signal strength.

