

## LIGHTED MINIATURE ROCKERS



Fig. 1



Fig. 2

Retail Part No.	Bulk Part No.	Figure No.	Circuit Function	Poles/Throws	AMPS 125VAC	AMPS 250VAC	Actuator Color	Terminal Type	Mounting Hole	Fig. Spec. Drawing Page/Part No.
35-680	35-680-BU	1	On Off	SPST	5	3	Lighted Orange LED	QC .187"/Solder	0.512 x 0.750	253-A
35-681	35-681-BU	1	On Off	SPST	5	3	Lighted Green LED	QC .187"/Solder	0.512 x 0.750	253-A
35-682	35-682-BU	1	On Off	SPST	5	3	Lighted Red LED	QC .187"/Solder	0.512 x 0.750	253-A
35-645	35-645-BU	2	On Off	SPST	10	5	Lighted Red LED	Solder Eyelet	0.755 x 0.508	253-B
35-646	35-646-BU	2	On Off	DPST	10	5	Lighted Red LED	Solder Eyelet	0.755 x 0.508	253-B

Notes: (On)/(Off)=Momentary On/Off  
QC=Quick Connect

(In Series) Resistor Chart for 35-680, 35-681 and 35-682 for DC usage (pilot lamp). Diode for AC usage.

Forward V <sub>FD</sub>	Current I <sub>LED</sub>	Reverse V <sub>R</sub>	Intensity M <sub>CD</sub>	Recommended Resistor @ Voltage		
				5V	12V	24V
2.1	10	4V	1.6 typ.	270	1K	2.2K

## MINIATURE ROCKERS



Fig. 3



Fig. 4



Fig. 5

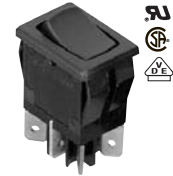


Fig. 6



Fig. 7



Fig. 8



Fig. 9



Fig. 10

Retail Part No.	Bulk Part No.	Figure No.	Circuit Function	Poles/Throws	Amps 125 VAC	Amps 250 VAC	Actuator Color	Terminal Type	Imprinting Color and Marking	Mounting Hole	Spec. Drawing Page No.
35-602	35-602-BU	3	On On	SPDT	4	2	Black Plastic	Solder Lug		0.350 x 0.734	253-C
35-603	35-603-BU	3	On (On)	SPDT	4	2	Black Plastic	Solder Lug		0.350 x 0.734	253-C
35-604	35-604-BU	3	On Off On	SPDT	4	2	Black Plastic	Solder Lug		0.350 x 0.734	253-C
35-615	35-615-BU	4	On On	SPDT	4	2	Black	QC .187"		0.508 x 0.756	253-D
35-605	35-605-BU	5	On Off	SPST	8	4	Black/Red Indicating	QC .187"	Red O-	0.508 x 0.756	253-E
35-606	35-606-BU	6	On On	DPDT	8	4	Black	QC .187"		0.508 x 0.756	253-E
35-608	35-608-BU	6	On Off	DPST	8	4	Black	QC .187"		0.508 x 0.756	253-E
35-609	35-609-BU	6	On On	SPDT	8	4	Black	QC .187"		0.508 x 0.756	253-E
35-674	35-674-BU	7	On On	DPDT	8	4	Red Plastic	Solder Lug		0.625 x 0.523	253-F
35-676	35-676-BU	7	On Off On	DPDT	8	4	Red Plastic	Solder Lug		0.625 x 0.523	253-F
35-642	35-642-BU	8	On Off	SPST	10	6	Black Plastic	QC .250"	White O-	0.508 x 0.755	253-G
35-644	35-644-BU	4	On On	SPDT	10	5	Black	QC .187"		0.508 x 0.756	253-D
35-648	35-648-BU	9	On On	DPDT	10	5	Black	QC .187"		0.887 x 0.756	253-D
35-607	35-607-BU	6	On Off	SPST	11	N/R	Black	QC .187"		0.508 x 0.756	253-E
35-643	35-643-BU	10	On Off	DPST	16*	16	Black Plastic	QC .250"	White O-	0.483 x 1.021	253-H
35-3705		10	On Off	DPST	16	16	White Plastic	QC .250"	Black O-	0.483 x 1.021	253-H

Notes: (On)=Momentary On  
\*1/4 HP @ 125VAC, 1/2 HP @250VAC  
N/R= Not Rated

QC=Quick Connect

Note: All figures are for illustration purpose only, and the number/type of terminals may vary.



## STANDARD APPLIANCE ROCKERS



Fig. 1



Fig. 2



Fig. 3



Fig. 4



Fig. 5



Fig. 6



Fig. 7



Fig. 8

Retail Part No.	Bulk Part No.	Figure No.	Circuit Function	Poles/Throws	AMPS 125VAC	AMPS 250VAC	Actuator Color	Actuator Material	Imprinting Color and Marking	Mounting Hole	Spec. Drawing Page No.
35-3760	35-3760-BU	1	(On) Off	SPST	15*	10	White	Nylon		0.550 x 1.125	255-A
35-691	35-691-BU	2	On Off	SPST	16	10	Black	Nylon		0.550 x 1.125	255-B
35-693	35-693-BU	3	On Off	SPST	16	10	Black	Nylon	Red On/Off	0.550 x 1.125	255-B
35-694	35-694-BU	2	On Off On	SPDT	16	10	Black	Nylon		0.550 x 1.125	255-B
35-3030	35-3030-BU	3	On Off	SPST	16	10	Black	Nylon	Red On/Off	0.550 x 1.125	255-B

Retail Part No.	Bulk Part No.	Figure No.	Circuit Function	Poles/Throws	AMPS 125VAC	AMPS 250VAC	HP 125/250VAC	Actuator Material	Imprinting Color and Marking	Mounting Hole	Spec. Drawing Page No.
35-3600	35-3600-BU	4	On Off	SPST	15	10	3/4	Black Nylon		0.830 x 1.450	255-D
35-3610	35-3610-BU	4	On On	SPDT	15	10	3/4	Black Nylon		0.830 x 1.450	255-D
35-3620	35-3620-BU	4	On Off On	SPDT	15	10	3/4	Black Nylon		0.830 x 1.450	255-D
35-3630	35-3630-BU	4	On Off	DPST	15	10	3/4	Black Nylon		0.830 x 1.450	255-D
35-3636	35-3636-BU	4	On Off	SPST	20	†	2	Black Nylon		0.830 x 1.450	255-D
35-3640	35-3640-BU	4	On Off On	DPDT	15	10	3/4	Black Nylon		0.830 x 1.450	255-D
35-3650	35-3650-BU	4	On On	DPDT	15	10	3/4	Black Nylon		0.830 x 1.450	255-D
35-3660	35-3660-BU	4	(On) Off	DPST	15	10	3/4	Black Nylon		0.830 x 1.450	255-D
35-3670	35-3670-BU	4	(Off) On	DPST	15	10	3/4	Black Nylon		0.830 x 1.450	255-D
35-3680	35-3680-BU	4	(On)Off On	DPDT	15	10	3/4	Black Nylon		0.830 x 1.450	255-D
35-3690	35-3690-BU	4	(On)Off On	DPDT	15	10	3/4	Black Nylon		0.830 x 1.450	255-D
35-3695	35-3695-BU	4	(On) (On)	DPDT	15	10	3/4	Black Nylon		0.830 x 1.450	255-D
35-3710	35-3710-BU	4	On Off	SPST	16	10	3/4	Black Nylon		0.550 x 1.125	255-C
35-3720	35-3720-BU	4	On On	SPDT	16	10	3/4	Black Nylon		0.550 x 1.125	255-C

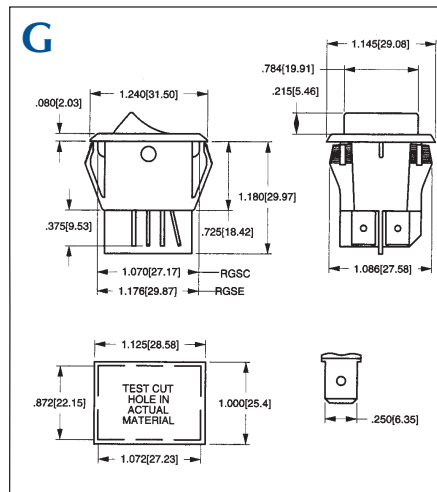
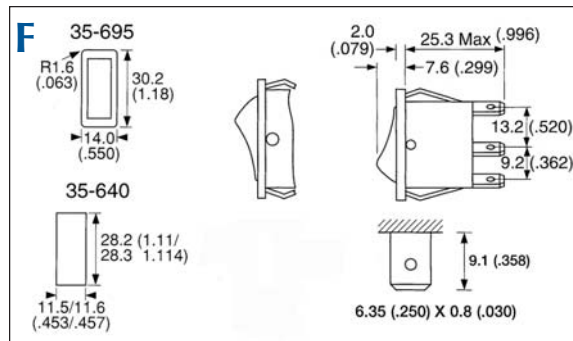
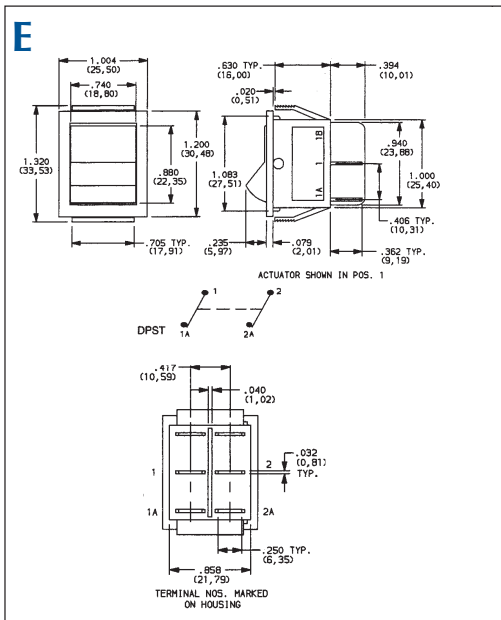
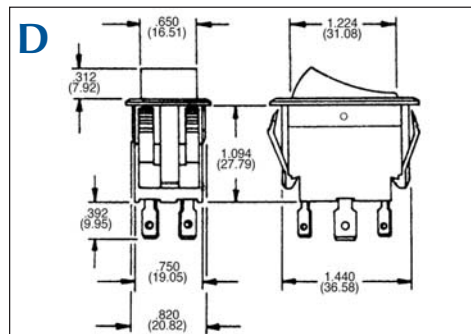
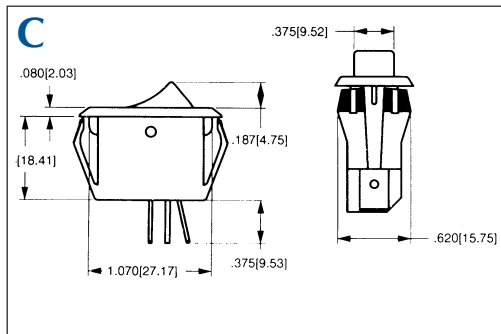
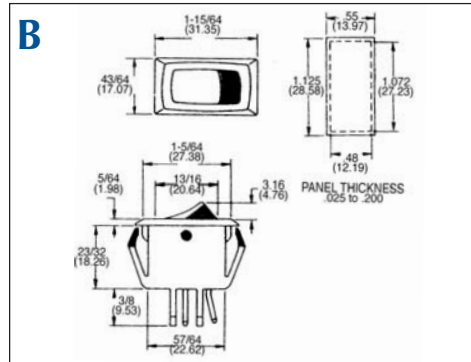
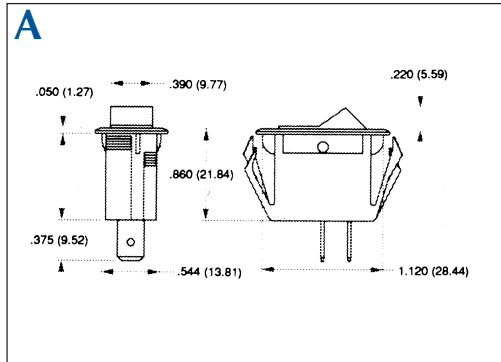
Retail Part No.	Bulk Part No.	Figure No.	Circuit Function	Poles/Throws	AMPS 125VAC	AMPS 250VAC	HP 250 VAC	Actuator Material	Imprinting Color and Marking	Mounting Hole	Spec. Drawing Page No.
35-620	35-620-BU	5	On Off	DPST	15	10	1/4	Red Poly	White On/Off	0.866 x 1.102	255-E
35-640	35-640-BU	6	On On	SPDT	16	16	1	Black Nylon		1.100 x 0.453	255-F
35-695	35-695-BU	7	(On) Off (On)	SPDT	16	16	1	Black Plastic		0.550 x 1.180	255-F
35-654	35-654-BU	8	On Off	DPST	20	16	N/R	Black Plastic		1.000 x 1.125	255-G

Notes: (On)=Momentary On  
\*3/4 H.P. @ 125/250VAC

N/R= Not Rated  
All of the Above have Quick Connect .250" Terminals

†=20A @ 277VAC

Note: All figures are for illustration purpose only, and the number/type of terminals may vary.



## LIGHTED APPLIANCE ROCKERS



Fig. 1



Fig. 2



Fig. 3



Fig. 4



Fig. 5



Fig. 6



Fig. 7



Fig. 8



Fig. 9



Fig. 10

### On-Off Circuit Function

Retail Part No.	Bulk Part No.	Fig. No.	Poles/Throws	Amps 125 VAC	Amps 250 VAC	HP 125 VAC	HP 250 VAC	HP 125-250 VAC	Actuator Color	Actuator Material	Lamp Voltage	Mounting Hole	Spec. Drawing Page/Part No.
35-660	35-660-BU	1	SPST	**	N/R				Lighted Red		12V Incdt	0.550 x 1.125	257-A
35-684	35-684-BU	2	SPST	10	N/R	N/R	N/R	N/R	White w/ Red LED	Plastic	***	0.430 x 1.189	257-B
35-696	35-696-BU	3	SPST	12	8			1/2	Lighted Red	Nylon	125V Ne	0.508 x 0.756	257-C
35-656	35-656-BU	4	SPST	15	10			1/2	Black w/Lighted Amber	Nylon	125V Ne	1.450 x 0.830	257-D
35-662	35-662-BU	5	SPST	15	15	1/2	1		Lighted Amber	Nylon	12V Incdt	0.453 x 1.110	257-E
35-664	35-664-BU	5	SPST	15	15	1/2	1		Lighted Green	Nylon	12V Incdt	0.453 x 1.110	257-E
35-688	35-688-BU	5	SPST	15	15	1/2	1		Lighted Red	Nylon	105/130V Ne	0.453 x 1.110	257-E
35-689	35-689-BU	6	SPST	15*	10			3/4	Lighted Red	Nylon	125V Ne	0.550 x 1.125	257-F
35-3790	35-3790-BU	6	SPST	15	10			3/4	Lighted Amber	Nylon	125V Ne	0.550 x 1.125	257-F
35-621	35-621-BU	7	SPST	16	16				Black w/Red Lens	Plastic	125V Ne	0.870 x 1.070	257-G
35-3730	35-3730-BU	8	SPST	16	10				Lighted Amber		125V Ne	0.550 x 1.125	257-H
35-3740	35-3740-BU	8	SPST	16	10				Lighted Red		125V Ne	0.550 x 1.125	257-H
35-655	35-655-BU	9	DPST	20	15	N/R	N/R		Lighted Red	Plastic	125V Ne	1.000 x 1.125	257-I
35-686	35-686-BU	10	DPST	20	20	1/2	1		Black w/Red Indicator	Plastic	125V Ne	1.180 x 0.870	257-J
35-3750	35-3750-BU	8	SPST	20	16				Lighted Green		12V Incdt	0.550 x 1.125	257-H

Notes: \*Built-in Resistor

\*\*Rated 10 Amps @ 30VDC

\*\*\*Requires external resistor and diode for AC applications (not included)

Incdt=Incandescent

Ne=Neon

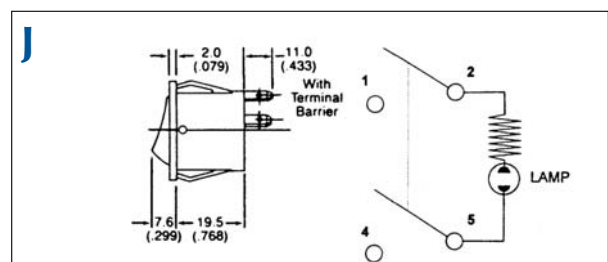
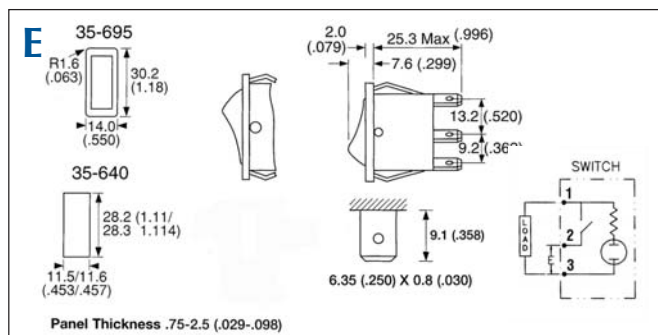
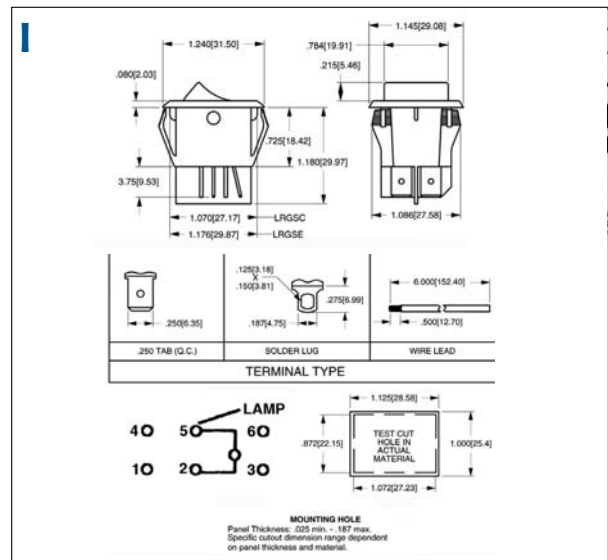
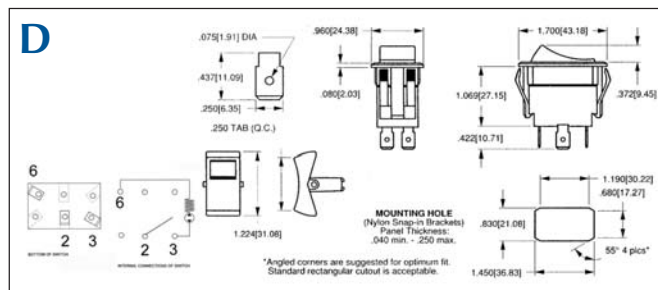
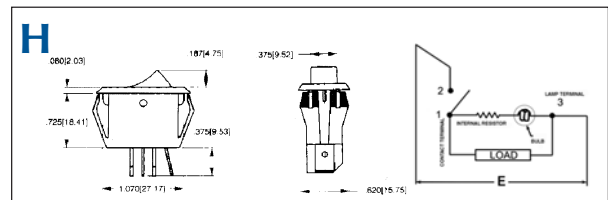
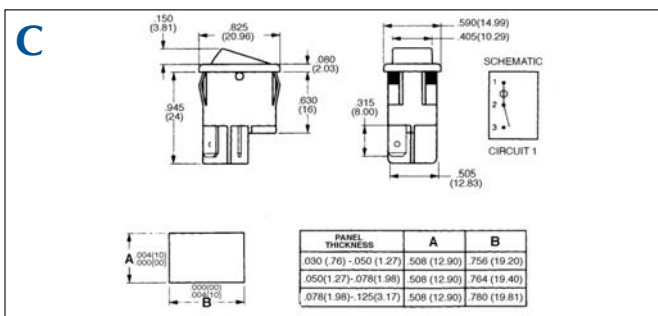
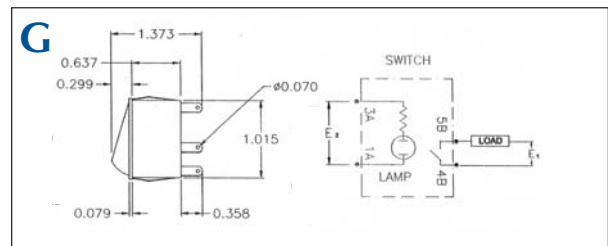
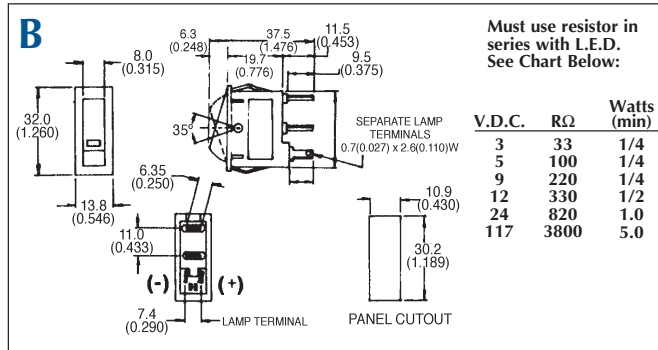
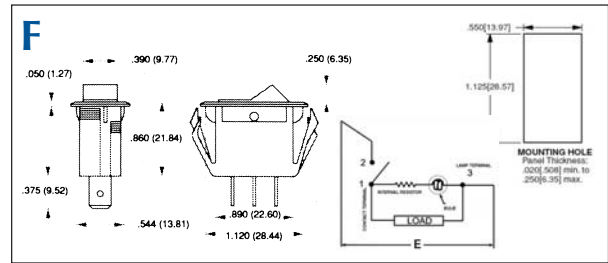
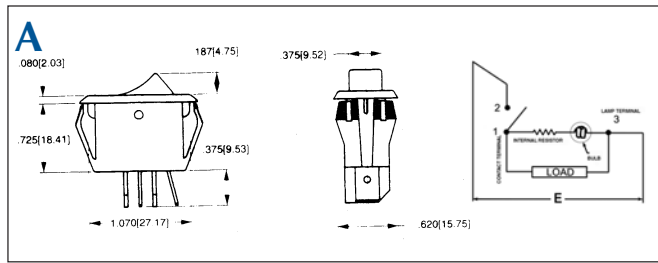
N/R=Not Rated

QC=Quick Connect

The Terminal Types for the above parts are QC .250" except for 35-684 is Solder and 35-696 is QC .187".

Note: All figures are for illustration purpose only, and the number/type of terminals may vary.

## LIGHTED APPLIANCE ROCKERS (Cont.)



## AUTOMOTIVE/MARINE ROCKERS



Fig. 1



Fig. 2

Retail Part No.	Bulk Part No.	Fig. No.	Circuit Function	Poles/Throws	Amps 125 VAC	Amps 250 VAC	Amps 12 VDC	HP 125-250 VAC	Lamp Color	Lamp Voltage	Terminal Type	Mounting Hole	Spec. Drawing Page/Part No.
35-3580	35-3580-BU	1	On Off	SPST	15	10	N/R	1/2			QC .250"	0.830 x 1.450	259-A
35-3585	35-3585-BU	1	On On	DPDT			20				QC .250"	0.830 x 1.450	259-A
35-3590	35-3590-BU	1	On Off On	DPDT			20				QC .250"	0.830 x 1.450	259-A
35-3500	35-3500-BU	2	On Off	SPST			20		Amber	12V Incandescent	QC .250"	0.830 x 1.450	259-B
35-3505	35-3505-BU	2	On Off	SPST			20		Green	12V Incandescent	QC .250"	0.830 x 1.450	259-B
35-3510	35-3510-BU	2	On Off	SPST			20		Red	12V Incandescent	QC .250"	0.830 x 1.450	259-B
35-3515	35-3515-BU	2	On Off	SPST			20		Blue	12V Incandescent	QC .250"	0.830 x 1.450	259-B
35-3520	35-3520-BU	2	On Off On	DPDT			20		Amber	12V Incandescent	QC .250"	0.830 x 1.450	259-B
35-3525	35-3525-BU	2	On Off On	DPDT			20		Green	12V Incandescent	QC .250"	0.830 x 1.450	259-B
35-3530	35-3530-BU	2	On Off On	DPDT			20		Red	12V Incandescent	QC .250"	0.830 x 1.450	259-B
35-3535	35-3535-BU	2	On Off On	DPDT			20		Blue	12V Incandescent	QC .250"	0.830 x 1.450	259-B
35-3540	35-3540-BU	2	(On) Off	SPST			20		Amber	12V Incandescent	QC .250"	0.830 x 1.450	259-B
35-3545	35-3545-BU	2	(On) Off	SPST			20		Green	12V Incandescent	QC .250"	0.830 x 1.450	259-B
35-3550	35-3550-BU	2	(On) Off	SPST			20		Red	12V Incandescent	QC .250"	0.830 x 1.450	259-B
35-3555	35-3555-BU	2	(On) Off	SPST			20		Blue	12V Incandescent	QC .250"	0.830 x 1.450	259-B
35-3560	35-3560-BU	2	(On) Off (On)	DPDT			20		Amber	12V Incandescent	QC .250"	0.830 x 1.450	259-B
35-3565	35-3565-BU	2	(On) Off (On)	DPDT			20		Green	12V Incandescent	QC .250"	0.830 x 1.450	259-B
35-3570	35-3570-BU	2	(On) Off (On)	DPDT			20		Red	12V Incandescent	QC .250"	0.830 x 1.450	259-B
35-3575	35-3575-BU	2	(On) Off (On)	DPDT			20		Blue	12V Incandescent	QC .250"	0.830 x 1.450	259-B

Notes: For replacement gasket use part number 999-16543-001  
(On)=Momentary On  
QC=Quick Connect

All above parts have nylon actuators

## ROUND ROCKERS



Fig. 3



Fig. 4



Fig. 5



Fig. 6



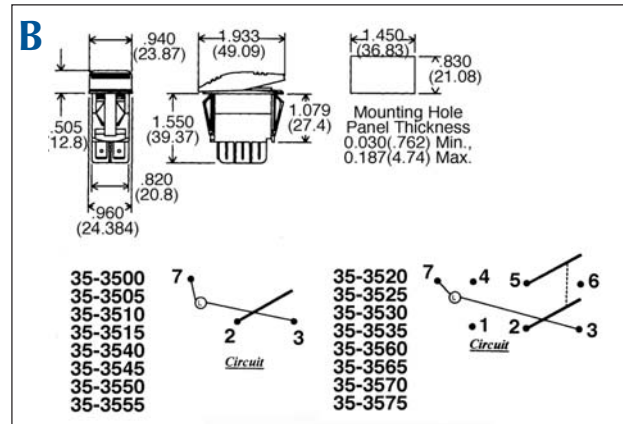
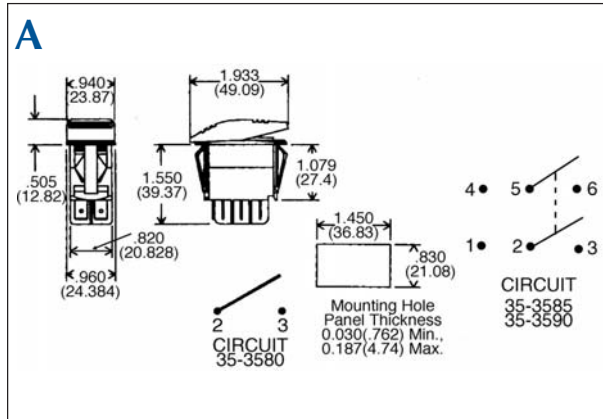
Fig. 7

Retail Part No.	Bulk Part No.	Figure No.	Circuit Function	Poles/Throws	AMPS 125VAC	AMPS 250VAC	HP 250 VAC	Actuator Color	Imprinting Color and Marking	Terminal Type	Mounting Hole	Spec. Drawing Page/Part No.
35-1300	35-1300-BU	3	On Off	SPST	10	6		Red (Lighted)	White O- (See Fig.)	QC .187"	0.7952"	259-C
35-1301	35-1301-BU	3	On Off	SPST	10	6		Green (Lighted)	White O- (See Fig.)	QC .187"	0.7952"	259-C
35-1302	35-1302-BU	4	On Off	SPST	10	6		Black	White O- (See Fig.)	QC .187"	0.7952"	259-D
35-1303	35-1303-BU	4	(On) Off	SPST	10	6		Black	White O- (See Fig.)	QC .187"	0.7952"	259-D
35-1304	35-1304-BU	5	On Off	DPST	10	6		Black	White O- (See Fig.)	QC .187"	0.7952"	259-E
35-1305	35-1305-BU	6	On Off On	SPDT	10	6		Black	White -O=(See Fig)	QC .187"	0.7952"	259-F
35-1307	35-1307-BU	3	On Off	SPST	10	6		Amber (Lighted)	White O- (See Fig.)	QC .187"	0.7952"	259-C
35-1311	35-1311-BU	7	On Off	SPST	10	6		Blk w/Red Indicator	None	QC .187"	0.7952"	259-G

Notes:  
(On)=Momentary On  
QC=Quick Connect

Note: All figures are for illustration purpose only, and the number/type of terminals may vary.

## AUTOMOTIVE/MARINE ROCKERS (Cont.)



## ROUND ROCKERS (Cont.)

